







1. PACKAGE CONTENTS

6U Rack Chassis	Installation Guide	Power Adapter
		
Power Connector	M5 Screw x8	Cable Clip x5
 (Appearance may vary depending on country/region)		

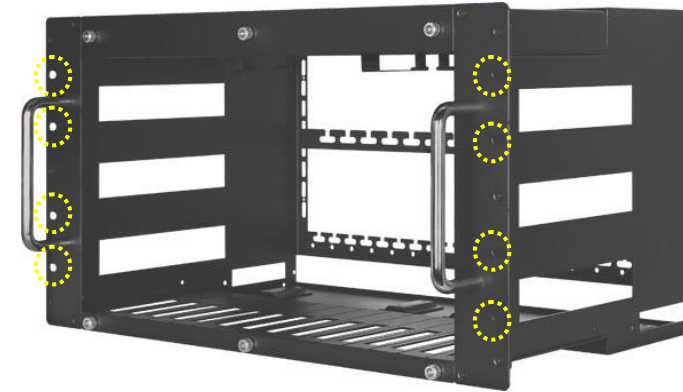
2. Power & System Requirements

- Power Requirement: DC 12V, 3A power supply for the cooling fan system.
- System Requirement:
 - The 6U rack chassis requires a minimum of 266.7mm (10.5in) contiguous free space in the rack for mounting.
 - With the Cooling Fan System installed, an additional 1U space above the chassis should be left empty to provide space for air to flow freely.

3. Installation Instructions

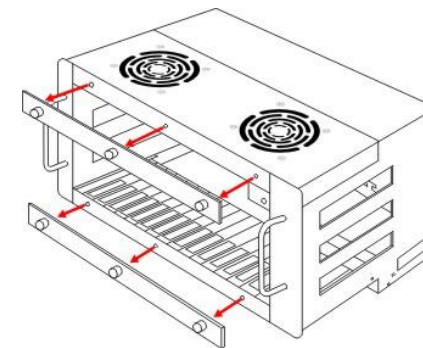
STEP 1

Install the OIP-AC01 to the rack with M5 Screws*8pcs.



STEP 2

Unscrew the 3 thumbscrews holding the top locking panel in place, and remove the panel from the front of the chassis. Unscrew the 3 thumbscrews holding the bottom locking panel in place, and remove the panel from the front of the chassis.

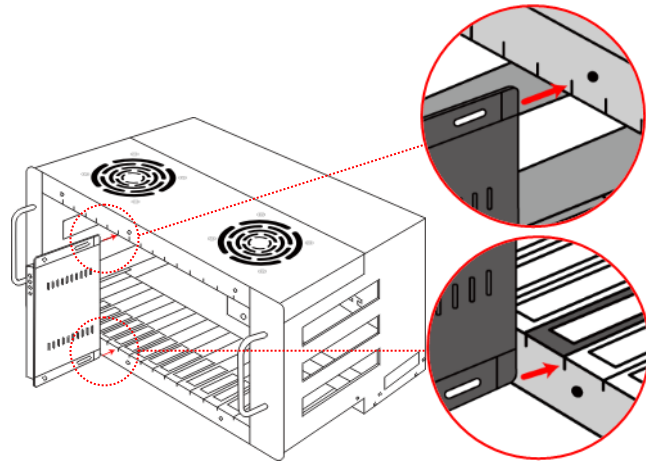


Note: The thumbscrews are connected to the locking panels with a retention mechanism and will not come completely free when they have been unscrewed from the chassis.

STEP 3

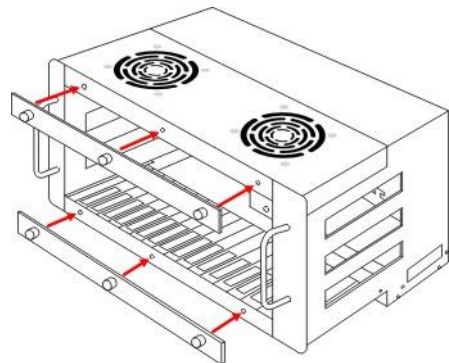
Align and then carefully slide a full or half-length compatible audio/video unit into the top/bottom grooves of a free slot. Half-length units are designed with a notch to prevent them from sliding all the way to the back of the rack chassis. Repeat this step until all units have been installed.

Note: If fewer than 15 units are being mounted it is strongly suggested to leave empty space between units that get particularly warm to improve airflow and heat dissipation.



STEP 4

Reattach the top and bottom locking panels by screwing in the 3 thumbscrews on each until they are tight and secure.



Note: Be careful to not overtighten the thumbscrews as this could damage the screw threads.

STEP 5

Connect DC 12V, 3A power supply to the cooling fan system

